

QH-W451SLC-NO(F0550)

2MP 1080P AHD Camera

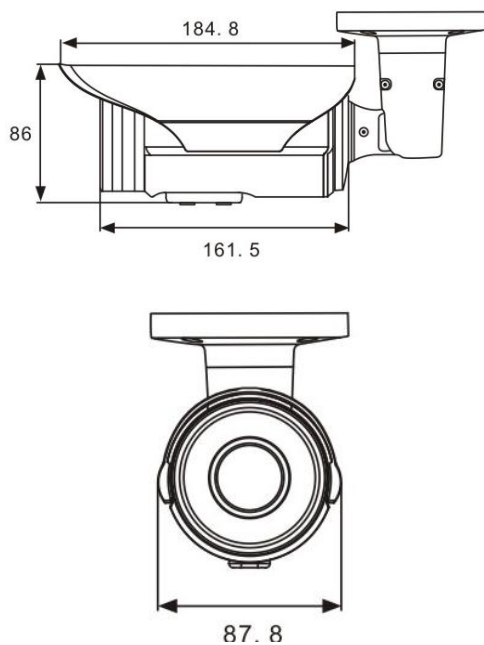
QIHAN
Creation for Safe Life



Feature

- 1/2.8" SONY Starvis BSI IMX291 CMOS, Starlight 0.001Lux, 1080P, 2.0MP, IR CUT, 8 Array LEDs, 5-50mm VF Lens, OSD Control, Coax Control by QIHAN 1080P DVR

Dimensions



Unit: mm

Technical Specifications

Model NO.	QH-W451SLC-NO(F0550)
Image Device	1/2.8" SONY Starvis BSI IMX291 CMOS
TV System	PAL/NTSC
Total Pixels	2.13M Pixels
Resolution	1920 (H) *1080 (V)
Scanning System	Progressive
Synchronization	Internal
Min. Illumination	0 Lux (LED on)
S/N Ratio	>58db
Video Output	1080PAHD/TVI/CVI or SD 960H OSD key switchable
LENS	
Focal Length	5~50MM MF Fixed Iris Lens
OPERATIONAL(For OSD Model)	
LENS	DC/MANUAL
Shutter	Auto,1/25-30(FLK)
AGC	0-15
SENS-UP	OFF/Auto
Brightness	0-100
D-WDR	ON/OFF
Defog	ON/OFF
Backlight	ON/OFF
White Bal	ATW/Indoor/Outdoor
Day&Night	EXT/Color/B/W/Auto
IR Smart	Yes
2DNR/3DNR	Yes
Cam Title	Yes
D-Effect	Freeze/Mirror
Motion	4 area
Privacy	4 area
Language	CHN1/CHN2/GER/FRA/ITA/SPA/POL/RUS/POR/ NED/TUR
Defect	Live DPC/White DPC/Black DPC
Infrared LED	8LED-Arrays
IR Distance	30 ~ 40 Meters
IR-CUT	YES
Infrared Spectrum	850nm
OPERATIONAL	
Operation Temperature	-10°C~ +50°C
Storage Temperature	-20°C~ +60°C
Water-proof Casing	IP66
ELECTRICAL	
Max Power	6.06W
Adapter Requirement	DC12V1A
MECHANICAL	
Color	White
Dimensions	185*88*86mm
Net Weight	1300g/pcs
Transmission distance	500meters(75-3)